

- Poppet design
- Leakfree closure in one direction
- Four cracking pressures



Functional Description

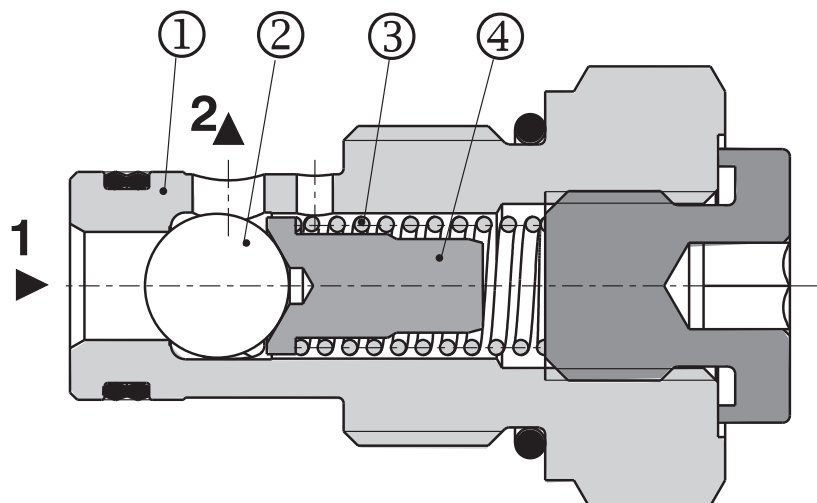
The check valve serves the leak free closure in one direction and allows flow in the opposite direction. The poppet design provides leak free closure.

The seat is created directly in the valve housing (1) and the small ball (2) is pushed by spring (3) through the thumb ring (4)* onto the seat. The cracking pressure depends on the spring selected, its preloading and the

pressurized poppet surface area. Four* cracking pressures are available.

The surface of the valve housing is zinc coated.

* With the High performance valve



Ordering Code

SC1F-B2 /

Check valves - 7/8 14UNF

High performance

H

no designation
V

Seals
NBR
FPM (Viton)

005
015
035
050
070

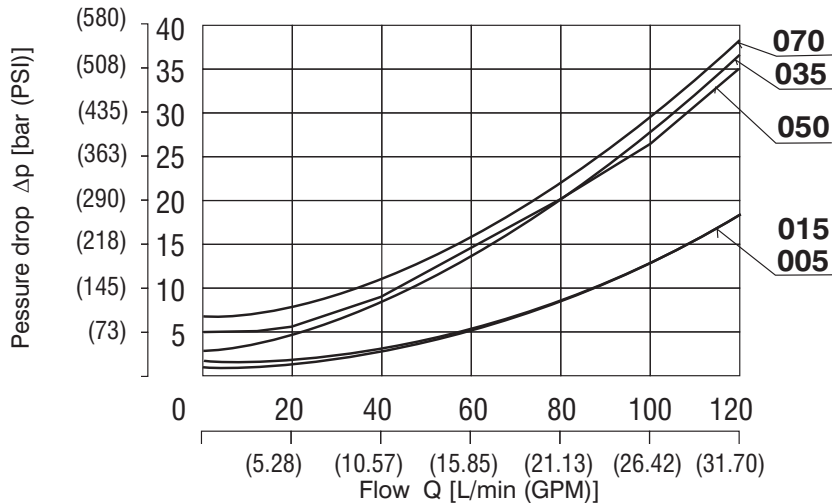
Cracking pressure
0,5 bar (7.2 PSI)
1,5 bar (21.7 PSI)
3,5 bar (50.7 PSI)
5,0 bar (71,5 PSI)
7,0 bar (101.5 PSI)

Technical Data

		High performance
Cartridge thread		7/8 14UNF-2A
Maximum flow rate	L/min (GPM)	120 (31.7)
Max. operating pressure	bar (PSI)	420 (6091)
Cracking pressure	bar (PSI)	0,5 (7.2) 1,5 (21.7) 3,5 (50.7) 5,0 (71.5) 7,0 (101.5)
Hydraulic fluid		Hydraulic oils of power classes (HL, HLP) to DIN 51524
Fluid temperature range (NBR)	°C (°F)	-30 ... +100 (-22 ... +212)
Fluid temperature range (Viton)	°C (°F)	-20 ... +120 (-4 ... +248)
Viscosity range	mm ² /s (SUS)	10 ... 500 (49 ... 2450)
Maximum degree of fluid contamination		Class 21/18/15 according to ISO 4406
Valve tightening torque	Nm (lbf.ft)	60 +2 (44.25 +1.47)
Weight	kg(lbs)	0,12
Mounting position		unrestricted
Valve body (data sheet HA 0018)		SB-B2

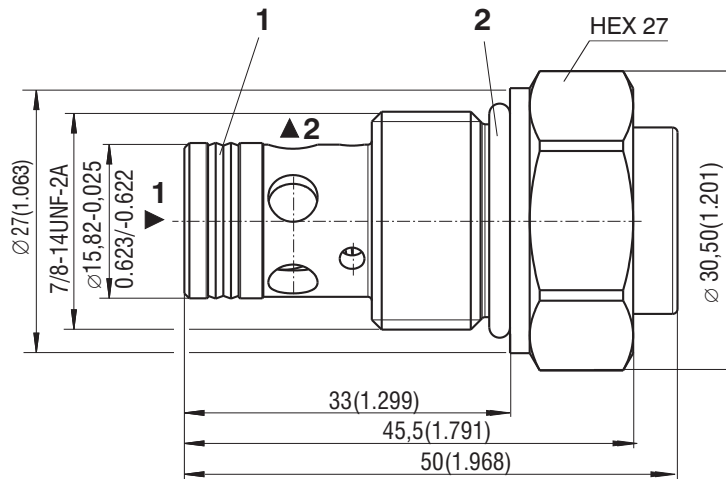
Δp-Q Characteristics

Measured at v = 32 mm²/s (156 SUS)



Valve Dimensions

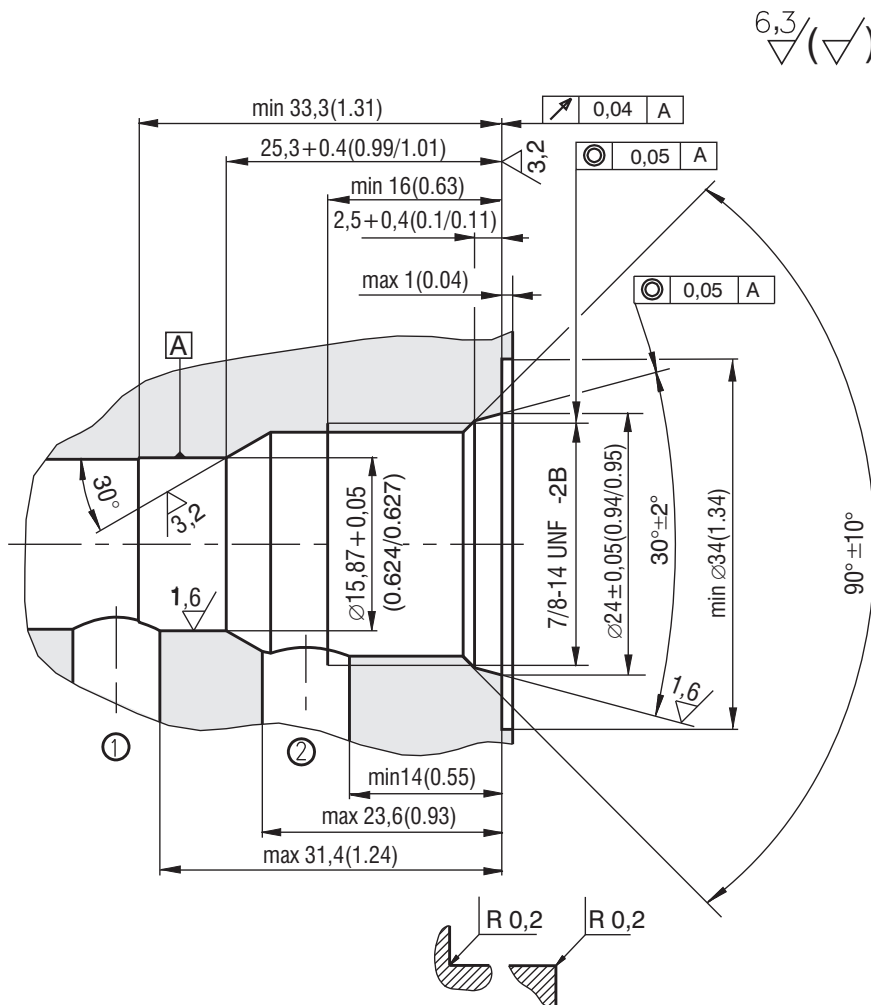
Dimensions in millimeters (inches)



- 1 Combined sealing:
DRYZ000002Z20 13,47 x 15,87 x 3,1 (supplied with valve)
- 2 O-ring 19,4 x 2,1 (supplied with valve)

Cavity

Dimensions in millimeters (inches)



Spare Parts

Seal kit		Ordering number
Dualeal - PU	O-ring - NBR	18775600
DRYZ000002Z20 13,47 x 15,87 x 3,1 (1pc.)	19,4 x 2,1 (1pc.)	

Caution!

- The packing foil is recyclable.
- The technical information regarding the product presented in this catalogue is for descriptive purposes only. It should not be construed in any case as a guaranteed representation of the product properties in the sense of the law.

ARGO-HYTOS s.r.o. CZ - 543 15 Vrchlabí
Tel.: +420-499-403 111
E-mail: info.cz@argo-hytos.com
www.argo-hytos.com