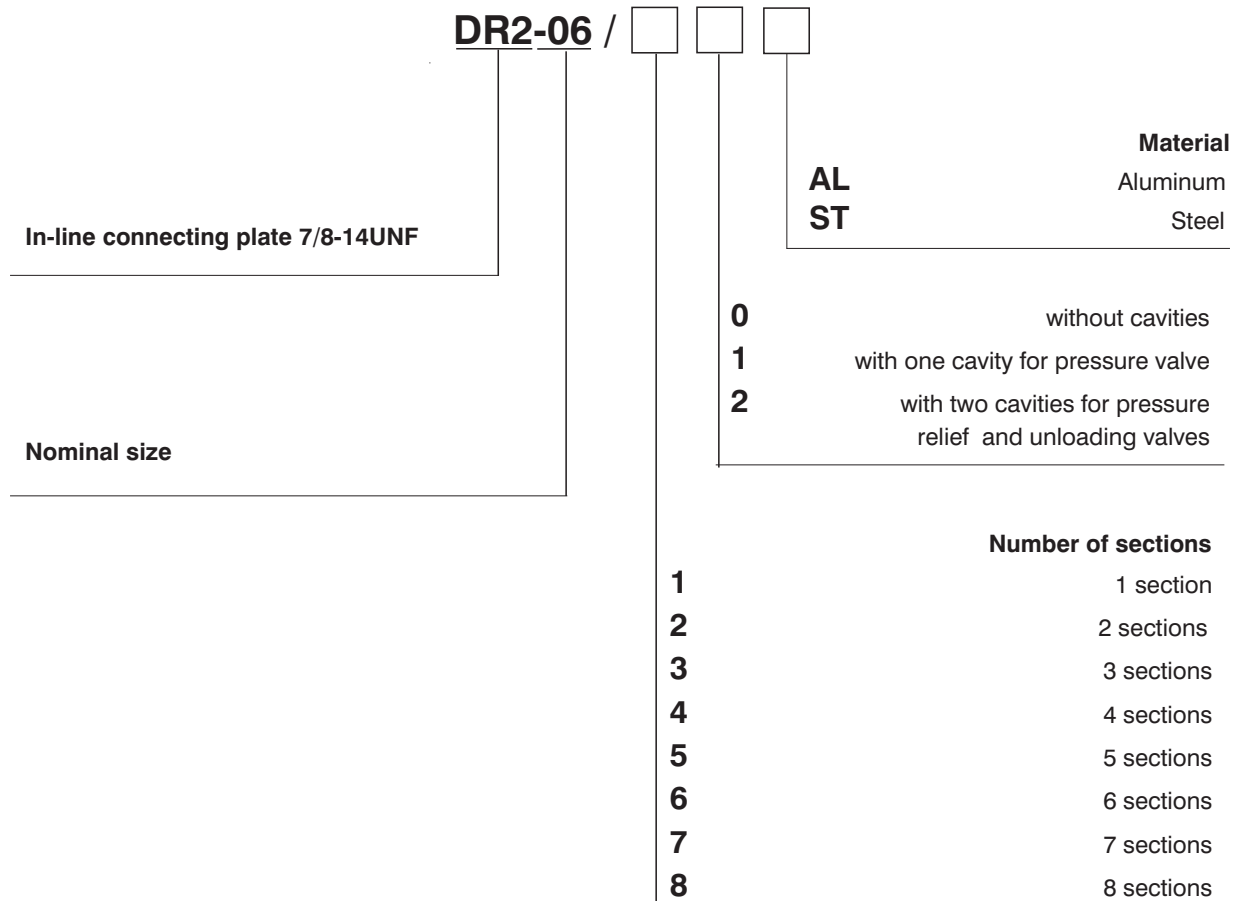


- For in-line mounting of hydraulic valves
- Parallel connection of ports P and T
- 1 ...8 sections possible
- Installation dimensions size 06 to ISO 4401 CETOP - RP 121H
- Valve cavity 7/8-14UNF



**Ordering Code**



# Connection

## DR2 06/ □ 0

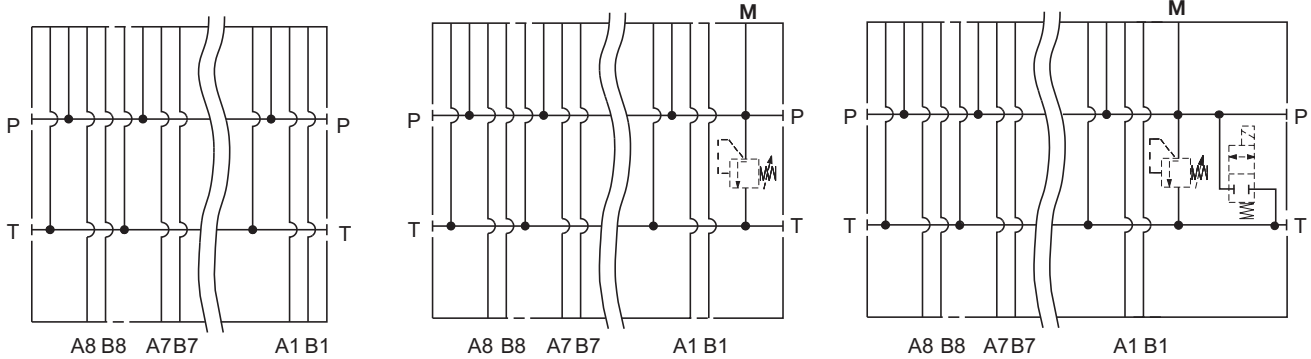
P, T.....G1/2  
A, B.....G3/8

## DR2 06/ □ 1

P, T.....G1/2  
A, B.....G3/8  
M.....G1/4  
valve cavity 7/8-14UNF

## DR2 06/ □ 2

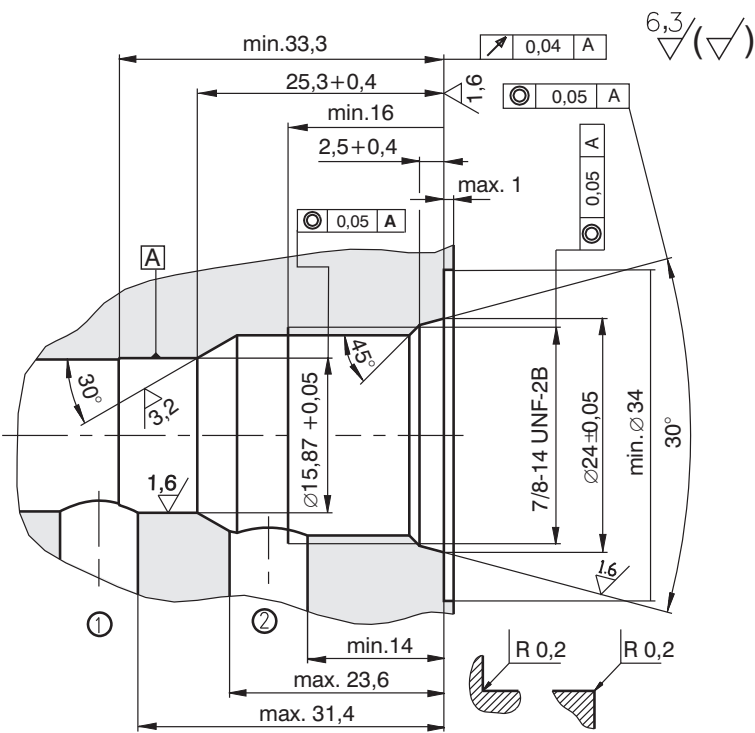
P, T.....G1/2  
A, B.....G3/8  
M.....G1/4  
valve cavity 7/8-14UNF



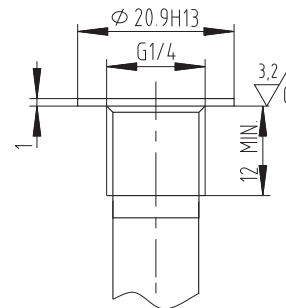
# Cavities

Dimensions in millimeters

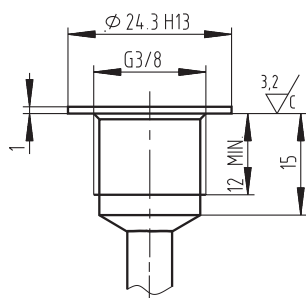
## Cavity for valves 7/8-14UNF, cavity B2



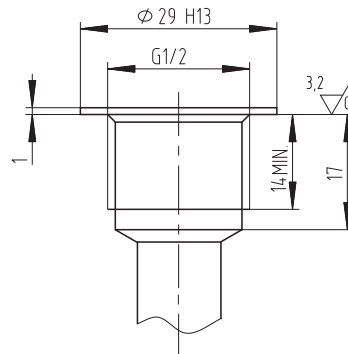
## Port cavity G1/4...M



## Port cavity G3/8... A, B



## Port cavity G1/2...P, T

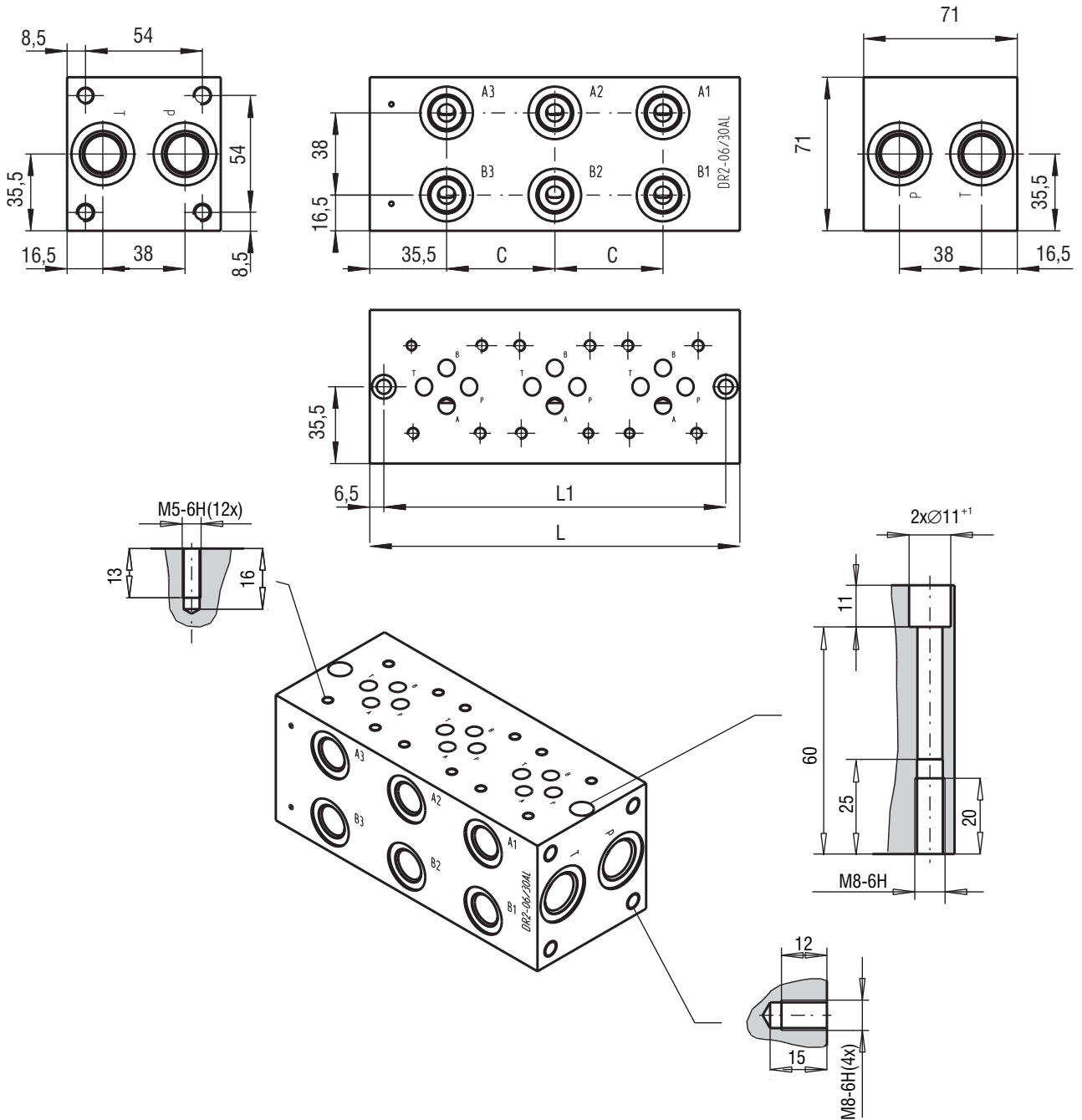


# Valve Dimensions

Dimensions in millimeters

**DR2 06 / □ 0**

number of sections 1-8



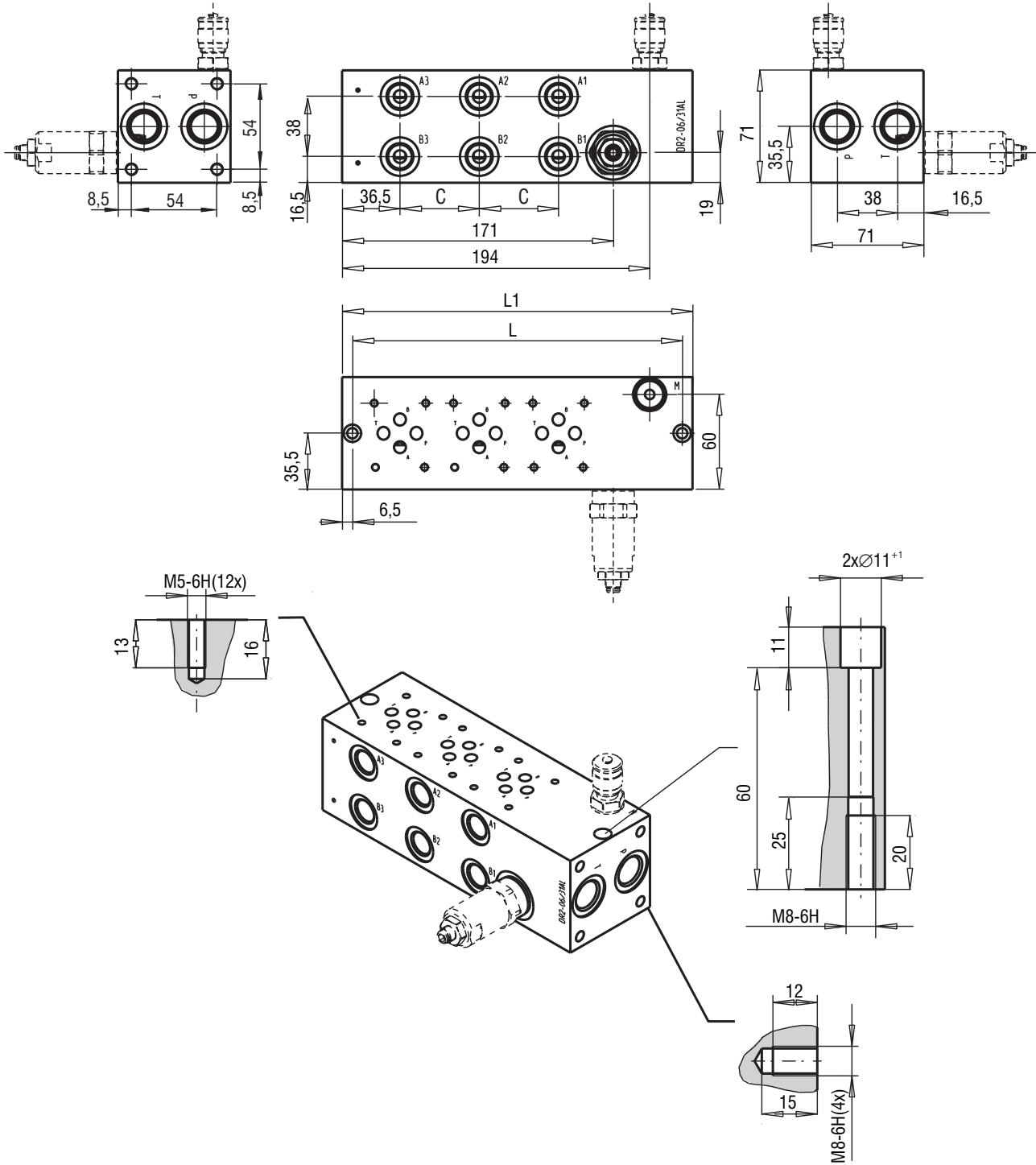
Number of sections	L (mm)	L1 (mm)	C (mm)	Ordering number	Weight (kg)	Ordering number	Weight (kg)
				AL		ST	
1	71	58	50	27562600	0,83	28262900	2,33
2	121	108	50	27562700	1,43	28263000	4,15
3	171	158	50	27562800	2,03	28263100	5,70
4	221	208	50	27562900	2,63	28263200	7,38
5	271	258	50	27563000	3,23	28263300	9,07
6	321	308	50	27563100	3,83	28263400	10,75
7	371	358	50	27563200	4,43	28263500	12,43
8	421	408	50	27563400	5,03	28263600	14,12

# Valve Dimensions

Dimensions in millimeters

DR2 06 /  1

number of sections 1-8



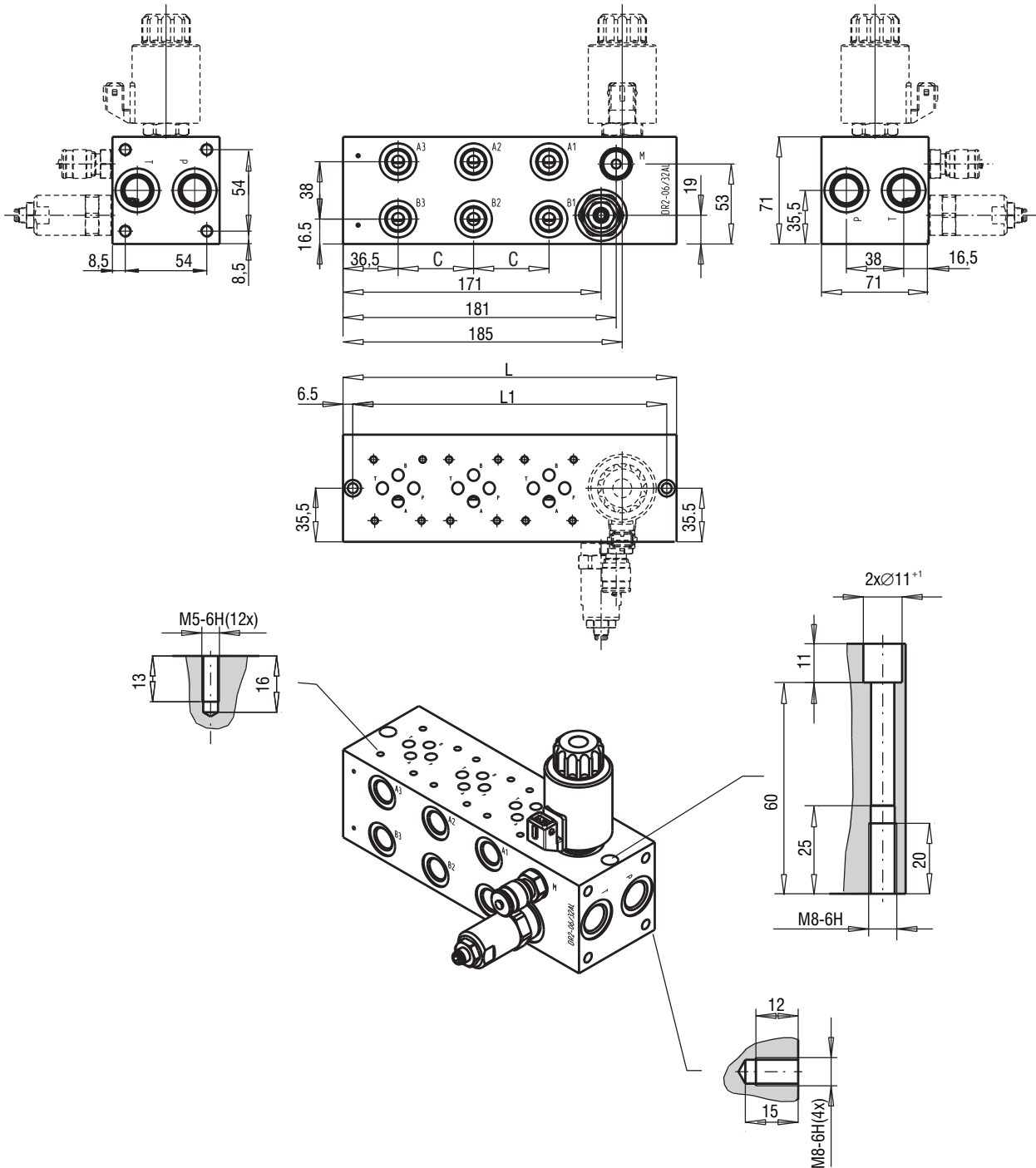
Number of sections	L (mm)	L1 (mm)	C (mm)	Ordering number	Weight (kg)	Ordering number	Weight (kg)
				AL		ST	
1	121	108	50	27563500	1,43	28263700	4,02
2	171	158	50	27563600	2,03	28263800	5,70
3	221	208	50	27563700	2,63	28263900	7,38
4	271	258	50	27563800	3,23	28264000	9,06
5	321	308	50	27563900	3,83	28264100	10,72
6	371	358	50	27564000	4,42	28264200	12,43
7	421	408	50	27564100	5,02	28264300	14,12
8	471	458	50	27564200	5,62	28264400	15,80

# Valve Dimensions

Dimensions in millimeters

**DR2 06 / □ 2**

number of sections 1-8



Number of sections	L (mm)	L1 (mm)	C (mm)	Ordering number	Weight (kg)	Ordering number	Weight (kg)
				AL		ST	
1	121	108	50	27632300	1,38	28269600	3,88
2	171	158	50	27632500	1,98	28269700	5,57
3	221	208	50	27632600	2,58	28269800	7,25
4	271	258	50	27632700	3,18	28269900	8,94
5	321	308	50	27632800	3,78	28270000	10,62
6	371	358	50	27632900	4,38	28270100	12,30
7	421	408	50	27633000	4,98	28270200	13,99
8	471	458	50	27633100	5,58	28270300	15,67

## Caution!

- The packing foil is recyclable.
- The technical information regarding the product presented in this catalogue is for descriptive purposes only. It should not be construed in any case as a guaranteed representation of the product properties in the sense of the law.

ARGO-HYTOS s.r.o. CZ - 543 15 Vrchlabí  
Tel.: +420-499-403111, Fax: +420-499-403421  
E-mail: sales.cz@argo-hytos.com  
www.argo-hytos.com