

# MAXIMATOR®

## Maximum Pressure.



High Pressure Technology • Testing Equipment  
Hydraulics • Pneumatics

### Technical Data Sheet

### Hydraulic Driven Booster

#### Type HDLE 15

#### Available Models:

- double acting, single stage
- double acting, single stage, double stroke length



figure similar

#### Technical Data:

Maximum hydraulic drive pressure p <sub>H</sub>	210 bar / 3.045 psi
Maximum hydraulic flow rate	30 l/min
Pressure ratio i	1:2
Minimum gas inlet pressure p <sub>A</sub> min.	7 bar / 101 psi
Maximum gas inlet pressure p <sub>A</sub> max.	300 bar / 4.350 psi
Maximum gas outlet pressure p <sub>B</sub>	300 bar / 4.350 psi
Displacement volume	244 cm <sup>3</sup>
Maximum cycles	60 / min
Stroke length	97 mm

Pressure and flow performances, please see enclosed graph.

#### Standard connections

Hydraulic drive	1/4" BSP
Gas Inlet	1/4" BSP
Gas Outlet	1/4" BSP
Max. operating temperature	60°C
Weight	22 kg

#### Approximate Dimensions:

Height:	208 mm
Length:	622 mm
Width:	145 mm

#### Options:

Inert Gas Flushing for applications with explosive or dangerous gases	
CO <sub>2</sub> service	Seal Package: PTFE, NBR

#### Hydraulic Drive System:

Customized Hydraulic Booster Station

Hydraulic boosters are delivered as complete packages (including the hydraulic supply unit). Through compact and modular construction, the HDLE is able to conform miscellaneous requirements. Available constructions are for example multi-stage applications as well as parallel or single applications.

The hydraulic supply unit can be supplied with fixed displacement pump or variable capacity pump and electric motor. The electrical control system ensures that the hydraulic booster shuts down on reaching the preset operating pressure. As an option, pressure inlet and pressure outlet can be supplied with shut-off valves, pressure gauges and pressure switches. More information is summarized on page 3.

**Please consult factory for more information.** All technical and dimensional information subject to change. All General Terms and Conditions of sale, including limitations of our liability, apply to all products and services sold.

# MAXIMATOR®

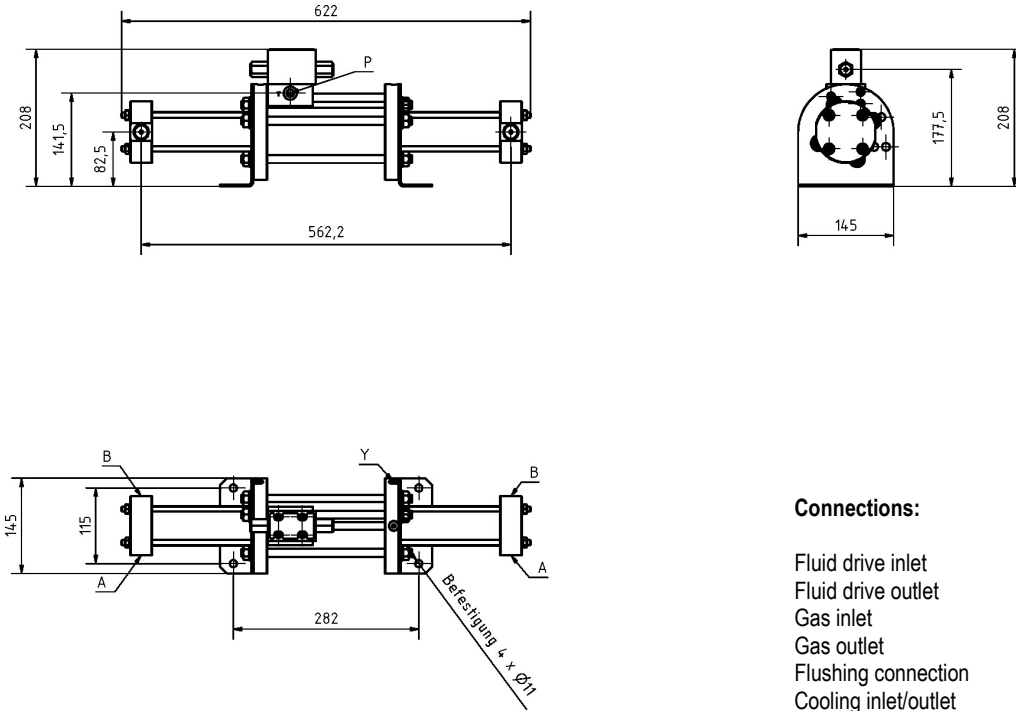
## Maximum Pressure.



High Pressure Technology • Testing Equipment  
Hydraulics • Pneumatics

### Dimensional Drawing

HDLE 15



#### Connections:

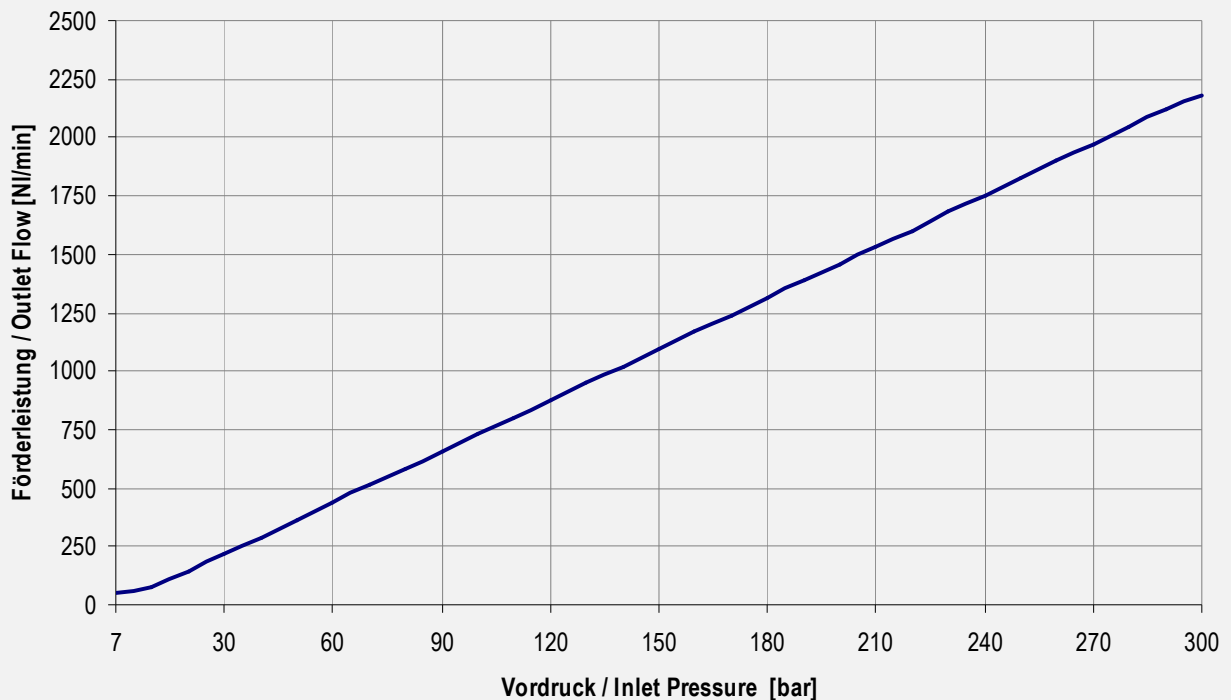
Fluid drive inlet	P = BSP 1/4"
Fluid drive outlet	T = BSP 1/4"
Gas inlet	A = BSP 1/4"
Gas outlet	B = 9/16" 18UNF
Flushing connection	Y = BSP 1/8"
Cooling inlet/outlet	K = BSP 3/8"

### Performance Graph

HDLE 15

#### Leistungsdiagramm HDLE 15 Performance Graph HDLE 15

NOTE: The flow capacity of HDLE remains constant over the entire pressure range.



# MAXIMATOR®

## Maximum Pressure.



High Pressure Technology • Testing Equipment  
Hydraulics • Pneumatics

### Technical Data Sheet

### Hydraulic Booster Station



figure similar

#### Characteristic Features

- hydraulic supply unit with fixed displacement pump or variable capacity pump and electric motor
- electrical control system for shut down on reaching preset operating pressure
- shut-off valves, pressure gauges and pressure switches for pressure inlet and outlet
- air- or water cooler

#### Options

- Nitrogen flushing for handling of not inert gases
- Frequency converter for speed control
- thermostatic control for oil-air cooling

#### Pressure ranges:

- HDLE 2 up to 50 bar
- HDLE 5 up to 100 bar
- HDLE 15 up to 300 bar
- HDLE 30 up to 900 bar

#### Technical Data

Inlet pressure  $P_v$  2-900 bar

Working pressure  $P$  max. 900 bar

#### Examples for Flow capacities

##### HDLE 5 with double stroke length

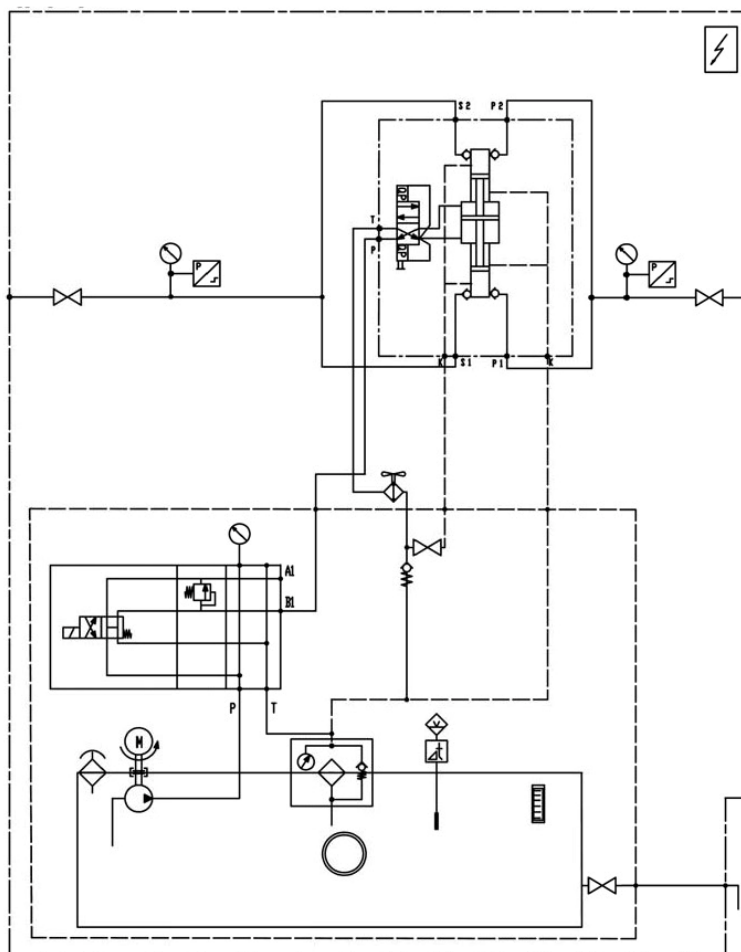
Inlet Pressure	Outlet Pressure	Flow capacity
$P_v = 4$ bar	$P = 100$ bar	$Q \approx 180$ NI/min
$P_v = 12$ bar	$P = 100$ bar	$Q \approx 520$ NI/min
$P_v = 50$ bar	$P = 100$ bar	$Q \approx 2200$ NI/min

##### HDLE 15 with double stroke length

Inlet Pressure	Outlet Pressure	Flow capacity
$P_v = 10$ bar	$P = 300$ bar	$Q \approx 140$ NI/min
$P_v = 80$ bar	$P = 300$ bar	$Q \approx 1150$ NI/min
$P_v = 150$ bar	$P = 300$ bar	$Q \approx 2100$ NI/min

##### HDLE 30 with double stroke length

Inlet Pressure	Outlet Pressure	Flow capacity
$P_v = 100$ bar	$P = 900$ bar	$Q \approx 650$ NI/min
$P_v = 300$ bar	$P = 900$ bar	$Q \approx 2000$ NI/min
$P_v = 600$ bar	$P = 900$ bar	$Q \approx 4000$ NI/min



# MAXIMATOR®

## Maximum Pressure.



High Pressure Technology • Testing Equipment  
Hydraulics • Pneumatics

