

# LINKS & REDUCERS



Combine a drive body with a link to make a wrench.  
Each are sold separately.



	Link		Nut A/F		Reducer		Part No.		Reducer		Part No.	
	Part No.	inch	mm	inch	mm	inch	mm	inch	mm	inch	mm	
TWLC15	TWL15-070	2-3/4"	70	2-3/4"-2-9/16"	70-65mm	TWR15-070065	2-3/4"-2-3/8"	70-60mm	TWR15-070060	2-3/4"-2-3/16"	70-55mm	TWR15-070055
	TWL15-075	2-15/16"	75	2-15/16"-2-3/4"	75-70mm	TWR15-075070	2-15/16"-2-9/16"	75-65mm	TWR15-075065	2-15/16"-2-3/8"	75-60mm	TWR15-075060
	TWL15-080	3-1/8"	80	3-1/8"-2-15/16"	80-75mm	TWR15-080075	3-1/8"-2-3/4"	80-70mm	TWR15-080070	3-1/8"-2-9/16"	80-65mm	TWR15-080065
	TWL15-085	3-3/8"	85	3-3/8"-3-1/8"	85-80mm	TWR15-085080	3-3/8"-2-15/16"	85-65mm	TWR15-085065	3-3/8"-2-3/4"	85-70mm	TWR15-085070
	TWL15-090	3-1/2"	90	3-1/2"-3-3/8"	90-85mm	TWR15-090085	3-1/2"-3-1/8"	90-80mm	TWR15-090080	3-1/2"-2-15/16"	90-75mm	TWR15-090075
	TWL15-095	3-3/4"	95	3-3/4"-3-1/2"	95-90mm	TWR15-095090	3-3/4"-3-3/8"	95-85mm	TWR15-095085	3-3/4"-3-1/8"	95-80mm	TWR15-095080
	TWL15-100	3-7/8"	100	3-7/8"-3-3/4"	100-95mm	TWR15-100095	3-7/8"-3-1/2"	100-90mm	TWR15-100090	3-7/8"-3-3/8"	100-85mm	TWR15-100085
	TWL15-105	-	105	-	105-100mm	TWR15-105100	-	105-95mm	TWR15-105095	-	105-90mm	TWR15-105090
	TWL15-425	4-1/4"	-	4-1/4"-3-7/8"	-	TWR15-425388	4-1/4"-3-3/4"	-	TWR15-425375	4-1/4"-3-1/2"	-	TWR15-425350
	TWL15-110	-	110	-	110-105mm	TWR15-110105	-	110-100mm	TWR15-110010	-	110-95mm	TWR15-110095
	TWL15-115	-	115	-	115-110mm	TWR15-115110	-	115-105mm	TWR15-115105	-	115-100mm	TWR15-115100
	TWL15-463	4-5/8"	-	4-5/8"-4-1/4"	-	TWR15-463425	4-5/8"-3-7/8"	-	TWR15-463388	4-5/8"-3-3/4"	-	TWR15-463375
	TWL30-080	3-1/8"	80	3-1/8"-2-15/16"	80-75mm	TWR30-080075	3-1/8"-2-3/4"	80-70mm	TWR30-080070	3-1/8"-2-9/16"	80-65mm	TWR30-080065
	TWL30-085	3-3/8"	85	3-3/8"-3-1/8"	85-80mm	TWR30-085080	3-3/8"-2-15/16"	85-65mm	TWR30-085065	3-3/8"-2-3/4"	85-70mm	TWR30-085070
	TWL30-090	3-1/2"	90	3-1/2"-3-3/8"	90-85mm	TWR30-090085	3-1/2"-3-1/8"	90-80mm	TWR30-090080	3-1/2"-2-15/16"	90-75mm	TWR30-090075
TWL30-095	3-3/4"	95	3-3/4"-3-1/2"	95-90mm	TWR30-095090	3-3/4"-3-3/8"	95-85mm	TWR30-095085	3-3/4"-3-1/8"	95-80mm	TWR30-095080	
TWL30-100	3-7/8"	100	3-7/8"-3-3/4"	100-95mm	TWR30-100095	3-7/8"-3-1/2"	100-90mm	TWR30-100090	3-7/8"-3-3/8"	100-85mm	TWR30-100085	
TWL30-105	-	105	-	105-100mm	TWR30-105100	-	105-95mm	TWR30-105095	-	105-90mm	TWR30-105090	
TWL30-425	4-1/4"	-	4-1/4"-3-7/8"	-	TWR30-425388	4-1/4"-3-3/4"	-	TWR30-425375	4-1/4"-3-1/2"	-	TWR30-425350	
TWL30-110	-	110	-	110-105mm	TWR30-110105	-	110-100mm	TWR30-110010	-	110-95mm	TWR30-110095	
TWL30-115	-	115	-	115-110mm	TWR30-115110	-	115-105mm	TWR30-115015	-	115-100mm	TWR30-115100	
TWL30-463	4-5/8"	-	4-5/8"-4-1/4"	-	TWR30-463425	4-5/8"-3-7/8"	-	TWR30-463388	4-5/8"-3-3/4"	-	TWR30-463375	
TWL30-120	-	120	-	120-115mm	TWR30-120115	-	120-110mm	TWR30-120110	-	120-105mm	TWR30-120105	
TWL30-500	5"	-	5"-4-5/8"	-	TWR30-500463	5"-4-1/4"	-	TWR30-500425	5"-3-7/8"	-	TWR30-500388	
TWL30-130	-	130	-	130-120mm	TWR30-130120	-	130-115mm	TWR30-130115	-	130-110mm	TWR30-130110	
TWL30-135	5-3/8"	135	5-3/8"-5"	135-125mm	TWR30-135125	5-3/8"-4-5/8"	135-120mm	TWR30-135120	5-3/8"-4-1/4"	135-115mm	TWR30-135115	
TWL30-145	5-3/4"	145	AVAILABLE UPON REQUEST									
TWL30-150	-	150	AVAILABLE UPON REQUEST									
TWL30-155	6-1/8"	155	AVAILABLE UPON REQUEST									

wrench.

TWLC

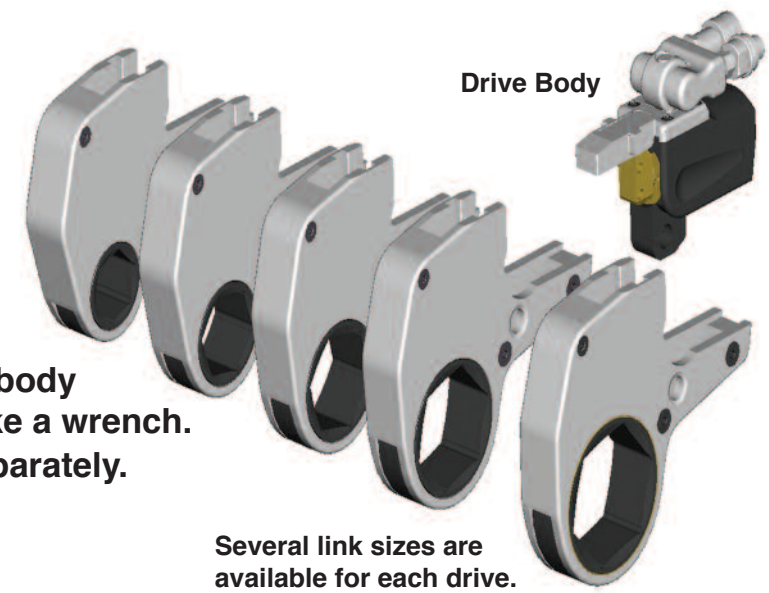


## LOW CLEARANCE



### LOW CLEARANCE Torque Wrench

The TWLC Series Wrench was designed for the most inaccessible bolting areas found in the industry. Its long neck, short height and small radius have all added to its great success.



Combine a drive body with a link to make a wrench.  
Each are sold separately.

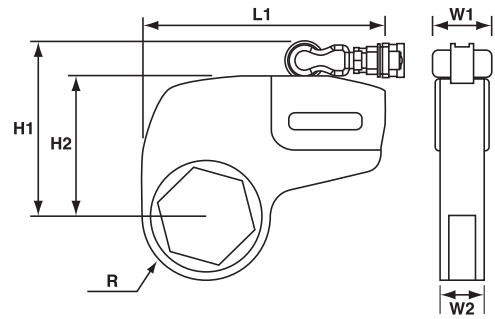
Several link sizes are available for each drive.

# LOW CLEARANCE DRIVE BODY

Combine a drive body with a link to make a wrench.  
Each are sold separately.



## Specifications and Dimensional Data



- Low Weight, High Strength Design
- Superior Torsional Strength
- Fast Operation Cycle
- Fine Tooth Ratchet
- Floating Piston Design
- Auto-Connect Drive Piston
- Compact Frame Size
- Rigid Steel Body Construction
- Internal Swivel Manifold Relief Valve
- Built-in Reaction Pad
- Small Nose Radius
- Tool Free Link Change
- Corrosion Resistant Finish
- Multi-Axis High Flow Swivel Manifold
- Simple Design
- Consistent Torque Output
- Quick Interchangeable Heads, No Tools Necessary
- Marathon Lifetime Warranty

Tool Model	L1		H1		H2		R		W1		W2	
	(in.)	(mm)	(in.)	(mm)	(in.)	(mm)	(in.)	(mm)	(in.)	(mm)	(in.)	(mm)
TWLC2	7.6	193	5.4	137	4.1	104	1 1/4- 1 7/8	32-48	1.7	43	1.3	33
TWLC4	8.8	223	6.4	163	5.1	130	1 1/2- 1 7/8	38-47	2.0	51	1.7	43
TWLC8	10.4	264	7.7	196	6.2	158	2- 2 7/8	51-74	2.7	69	2.1	53
TWLC15	12.0	305	8.8	224	7.3	185	2 3/8- 2 1/2	60-64	3.1	79	2.5	64
TWLC30	15.4	391	10.9	277	9.4	239	3- 4 1/2	76-114	4.2	107	3.2	81

Tool Model	Hex Range		Max. Torque		Tool Weight	
	(in.)	(mm)	(ft.)	(Nm)	(lbs)	(kg)
TWLC2	1 1/4- 2 3/8	32 - 60	1,575	2,135	6.2	2.8
TWLC4	1 1/2- 3 1/8	38.1 - 79	3,975	5,389	12.6	5.7
TWLC8	2 3/8- 3 7/8	60 - 98	7,950	10,770	22.9	10.3
TWLC15	2 9/16- 4 5/8	65 - 117	14,850	20,133	37.3	16.9
TWLC30	3 1/8- 6 1/8	79 - 155	28,800	39,047	77.0	34.9

CAUTION: Always read operating manual before using for proper use of tools and accessories.  
NOTE: Reference dimensions shown and vary by link size. Exact dimensions can be found on our website.

# LINKS & REDUCERS



Combine a drive body with a link to make a wrench.  
Each are sold separately.

low clearance.



	Link Part No.	Nut A/F inch	mm	inch	Reducer mm	Part No.	inch	Reducer mm	Part No.	inch	Reducer mm	Part No.	
TWLC2	TWL2-032	1-1/4"	32	-	-	-	-	-	-	-	-	-	
	TWL2-036	1-7/16"	36	-	-	-	-	-	-	-	-	-	
	TWL2-041	1-5/8"	41	1-5/8"-1-7/16"	41-36mm	TWR2-041036	1-5/8"-1-1/4"	41-32mm	TWR2-041032	-	-	-	
	TWL2-046	1-13/16"	46	1-13/16"-1-5/8"	46-41mm	TWR2-046041	1-13/16"-1-7/16"	46-36mm	TWR2-046036	1-13/16"-1-1/4"	46-32mm	TWR2-046032	
	TWL2-050	2"	50	2"-1-13/16"	50-46mm	TWR2-050046	2"-1-5/8"	50-41mm	TWR2-050041	2"-1-7/16"	50-36mm	TWR2-050036	
	TWL2-055	2-3/16"	55	2-3/16"-2"	55-50mm	TWR2-055050	2-3/16"-1-13/16"	55-46mm	TWR2-055046	2-3/16"-1-5/8"	55-41mm	TWR2-055041	
	TWL2-060	2-3/8"	60	2-3/8"-2-3/16"	60-55mm	TWR2-060055	2-3/8"-2"	60-50mm	TWR2-060050	2-3/8"-1-13/16"	60-46mm	TWR2-060046	
TWLC4	TWL4-041	1-5/8"	41	1-5/8"-1-7/16"	41-36mm	TWR4-041036	1-5/8"-1-1/4"	41-32mm	TWR4-041032	-	-	-	
	TWL4-046	1-13/16"	46	1-13/16"-1-5/8"	46-41mm	TWR4-046041	1-13/16"-1-7/16"	46-36mm	TWR4-046036	1-13/16"-1-1/4"	46-32mm	TWR4-046032	
	TWL4-050	2"	50	2"-1-13/16"	50-46mm	TWR4-050046	2"-1-5/8"	50-41mm	TWR4-050041	2"-1-7/16"	50-36mm	TWR4-050036	
	TWL4-055	2-3/16"	55	2-3/16"-2"	55-50mm	TWR4-055050	2-3/16"-1-13/16"	55-46mm	TWR4-055046	2-3/16"-1-5/8"	55-41mm	TWR4-055041	
	TWL4-060	2-3/8"	60	2-3/8"-2-3/16"	60-55mm	TWR4-060055	2-3/8"-2"	60-50mm	TWR4-060050	2-3/8"-1-13/16"	60-46mm	TWR4-060046	
	TWL4-065	2-9/16"	65	2-9/16"-2-3/8"	65-60mm	TWR4-065060	2-9/16"-2-3/16"	65-55mm	TWR4-065055	2-9/16"-2"	65-50mm	TWR4-065050	
	TWL4-070	2-3/4"	70	2-3/4"-2-9/16"	70-65mm	TWR4-070065	2-3/4"-2-3/8"	70-60mm	TWR4-070060	2-3/4"-2-3/16"	70-55mm	TWR4-070055	
	TWL4-075	2-15/16"	75	2-15/16"-2-3/4"	75-70mm	TWR4-075070	2-15/16"-2-9/16"	75-65mm	TWR4-075065	2-15/16"-2-3/8"	75-60mm	TWR4-075060	
	TWL4-080	3-1/8"	80	3-1/8"-2-15/16"	80-75mm	TWR4-080075	3-1/8"-2-3/4"	80-70mm	TWR4-080070	3-1/8"-2-9/16"	80-65mm	TWR4-080065	
TWLC8	TWL8-060	2-3/8"	60	2-3/8"-2-3/16"	60-55mm	TWR8-060055	2-3/8"-2"	60-50mm	TWR8-060050	2-3/8"-1-13/16"	60-46mm	TWR8-060046	
	TWL8-065	2-9/16"	65	2-9/16"-2-3/8"	65-60mm	TWR8-065060	2-9/16"-2-3/16"	65-55mm	TWR8-065055	2-9/16"-2"	65-50mm	TWR8-065050	
	TWL8-070	2-3/4"	70	2-3/4"-2-9/16"	70-65mm	TWR8-070065	2-3/4"-2-3/8"	70-60mm	TWR8-070060	2-3/4"-2-3/16"	70-55mm	TWR8-070055	
	TWL8-075	2-15/16"	75	2-15/16"-2-3/4"	75-70mm	TWR8-075070	2-15/16"-2-9/16"	75-65mm	TWR8-075065	2-15/16"-2-3/8"	75-60mm	TWR8-075060	
	TWL8-080	3-1/8"	80	3-1/8"-2-15/16"	80-75mm	TWR8-080075	3-1/8"-2-3/4"	80-70mm	TWR8-080070	3-1/8"-2-9/16"	80-65mm	TWR8-080065	
	TWL8-085	3-3/8"	85	3-3/8"-3-1/8"	85-80mm	TWR8-085080	3-3/8"-2-15/16"	85-65mm	TWR8-085065	3-3/8"-2-3/4"	85-70mm	TWR8-085070	
	TWL8-090	3-1/2"	90	3-1/2"-3-3/8"	90-85mm	TWR8-090085	3-1/2"-3-1/8"	90-80mm	TWR8-090080	3-1/2"-2-15/16"	90-75mm	TWR8-090075	
	TWL8-095	3-3/4"	95	3-3/4"-3-1/2"	95-90mm	TWR8-095090	3-3/4"-3-3/8"	95-85mm	TWR8-095085	3-3/4"-3-1/8"	95-80mm	TWR8-095080	
		TWL8-100	3-7/8"	100	3-7/8"-3-3/4"	100-95mm	TWR8-100095	3-7/8"-3-1/2"	100-90mm	TWR8-100090	3-7/8"-3-3/8"	100-85mm	TWR8-100085

Specifications subject to change without notice