

TORQUE WRENCH

Low Clearance Predator Series

MAX TORQUE 39,024 Nm 700 bar
28,782 Ft-Lb 10,000 PSI

THE LIGHTWEIGHT, HEAVY-DUTY TOOL FEATURES A LONG NECK, SHORT HEIGHT, AND SMALL RADIUS FOR INACCESSIBLE BOLTING AREAS FOUND IN INDUSTRY.

- Low Weight, High Strength Design
- Superior Torsional Strength
- Fast Operation Cycle
- Fine Tooth Pawl
- Floating Piston Design
- Auto-Connect Drive Piston
- Compact Frame Size
- Rigid Steel Body Construction
- Internal swivel manifold Relief
- Built-in Reaction Pad

PREDATOR LOW CLEARANCE TORQUE WRENCHES

The TWLC Predator Series Wrench was designed for the most inaccessible bolting areas found in industry. Its long neck, short height and small radius have all added to its great success

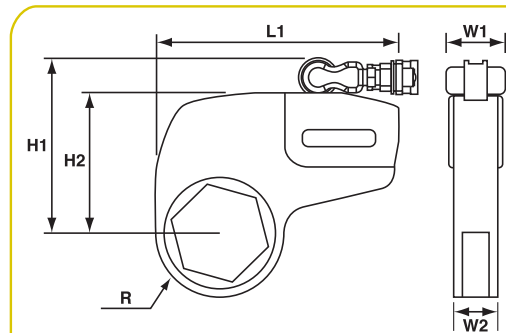


- Small Nose Radius
- Tool Free Link Change
- Corrosion Resistant Finish
- Multi-Axis High Flow Swivel Manifold
- Simple Design
- Consistent Torque Output
- Marathon Lifetime Warranty

* Links sold separately.
Tool is not shipped with link.

HOSES – DUAL LINE

TWH15	15', 1/4" ID non-conductive 4.6m, 9.5mm ID non-conductive
TWH20	20', 1/4" ID non-conductive 6m, 9.5mm ID non-conductive
TWH50	50', 1/4" ID non-conductive 15.2m, 9.5mm ID non-conductive



Tool Model	L1		H1		H2		R		W1		W2	
	(in.)	(mm)	(in.)	(mm)	(in.)	(mm)	(in.)	(mm)	(in.)	(mm)	(in.)	(mm)
TWLC2	7.6	193	5.4	137	4.1	104	1 ¹ / ₄ -1 ⁷ / ₈	32-48	1.7	43	1.3	33
TWLC4	8.8	223	6.4	163	5.1	130	1 ¹ / ₂ -1 ⁷ / ₈	38-47	2.0	51	1.7	43
TWLC8	10.4	264	7.7	196	6.2	158	2-2 ⁷ / ₈	51-74	2.7	69	2.1	53
TWLC15	12.0	305	8.8	224	7.3	185	2 ³ / ₈ -2 ¹ / ₂	60-64	3.1	79	2.5	64
TWLC30	15.4	391	10.9	277	9.4	239	3-4 ¹ / ₂	76-114	4.2	107	3.2	81

Tool Model	Hex Range		Max. Torque		Tool Weight	
	(in.)	(mm)	(ft.)	(Nm)	(lbs)	(kg)
TWLC2	1 ¹ / ₄ -2 ³ / ₈	32 – 60	1,575	2,135	6.2	2.8
TWLC4	1 ¹ / ₂ -3 ¹ / ₈	38.1 – 79	3,975	5,389	12.6	5.7
TWLC8	2 ³ / ₈ -3 ⁷ / ₈	60 – 98	7,950	10,770	22.9	10.3
TWLC15	2 ⁹ / ₁₆ -4 ⁵ / ₈	65 – 117	14,850	20,133	37.3	16.9
TWLC30	3 ¹ / ₈ -6 ¹ / ₈	79 – 155	28,800	39,047	77.0	34.9





Tool	Link Part No.	Nut A/F		Reducer			Reducer			Reducer		
		in.	mm	in.	mm	Part No.	in.	mm	Part No.	in.	mm	Part No.
TWLC2	TWL2-032	1.25	32	-	-	-	-	-	-	-	-	-
	TWL2-036	1.44	36	-	-	-	-	-	-	-	-	-
	TWL2-041	1.63	41	1.63-1.44	41-36mm	TWR2-041036	1.63-1.25	41-32mm	TWR2-041032	-	-	-
	TWL2-046	1.81	46	1.81-1.63	46-41mm	TWR2-046041	1.81-1.44	46-36mm	TWR2-046036	1.81-1.25	46-32mm	TWR2-046032
	TWL2-050	2.00	50	2.00-1.81	50-46mm	TWR2-050046	2.00-1.63	50-41mm	TWR2-050041	2.00-1.44	50-36mm	TWR2-050036
	TWL2-055	2.19	55	2.19-2.00	55-50mm	TWR2-055050	2.19-1.81	55-46mm	TWR2-055046	2.19-1.63	55-41mm	TWR2-055041
	TWL2-060	2.38	60	2.38-2.19	60-55mm	TWR2-060055	2.38-2.00	60-50mm	TWR2-060050	2.38-1.81	60-46mm	TWR2-060046
TWLC4	TWL4-041	1.63	41	1.63-1.44	41-36mm	TWR4-041036	1.63-1.25	41-32mm	TWR4-041032	-	-	-
	TWL4-046	1.81	46	1.81-1.63	46-41mm	TWR4-046041	1.81-1.44	46-36mm	TWR4-046036	1.81-1.25	46-32mm	TWR4-046032
	TWL4-050	2.00	50	2.00-1.81	50-46mm	TWR4-050046	2.00-1.63	50-41mm	TWR4-050041	2.00-1.44	50-36mm	TWR4-050036
	TWL4-055	2.19	55	2.19-2.00	55-50mm	TWR4-055050	2.19-1.81	55-46mm	TWR4-055046	2.19-1.63	55-41mm	TWR4-055041
	TWL4-060	2.38	60	2.38-2.19	60-55mm	TWR4-060055	2.38-2.00	60-50mm	TWR4-060050	2.38-1.81	60-46mm	TWR4-060046
	TWL4-065	2.56	65	2.56-2.38	65-60mm	TWR4-065060	2.56-2.19	65-55mm	TWR4-065055	2.56-2.00	65-50mm	TWR4-065050
	TWL4-070	2.75	70	2.75-2.56	70-65mm	TWR4-070065	2.75-2.38	70-60mm	TWR4-070060	2.75-2.19	70-55mm	TWR4-070055
	TWL4-075	2.94	75	2.94-2.75	75-70mm	TWR4-075070	2.94-2.56	75-65mm	TWR4-075065	2.94-2.38	75-60mm	TWR4-075060
	TWL4-080	3.13	80	3.13-2.94	80-75mm	TWR4-080075	3.13-2.75	80-70mm	TWR4-080070	3.13-2.56	80-65mm	TWR4-080065
	TWLC8	TWL8-060	2.38	60	2.38-2.19	60-55mm	TWR8-060055	2.38-2.00	60-50mm	TWR8-060050	2.38-1.81	60-46mm
TWL8-065		2.56	65	2.56-2.38	65-60mm	TWR8-065060	2.56-2.19	65-55mm	TWR8-065055	2.56-2.00	65-50mm	TWR8-065050
TWL8-070		2.75	70	2.75-2.56	70-65mm	TWR8-070065	2.75-2.38	70-60mm	TWR8-070060	2.75-2.19	70-55mm	TWR8-070055
TWL8-075		2.94	75	2.94-2.75	75-70mm	TWR8-075070	2.94-2.56	75-65mm	TWR8-075065	2.94-2.38	75-60mm	TWR8-075060
TWL8-080		3.13	80	3.13-2.94	80-75mm	TWR8-080075	3.13-2.75	80-70mm	TWR8-080070	3.13-2.56	80-65mm	TWR8-080065
TWL8-085		3.38	85	3.38-3.13	85-80mm	TWR8-085080	3.38-2.94	85-75mm	TWR8-085075	3.38-2.75	85-70mm	TWR8-085070
TWL8-090		3.50	90	3.50-3.38	90-85mm	TWR8-090085	3.50-3.13	90-80mm	TWR8-090080	3.50-2.94	90-75mm	TWR8-090075
TWL8-095		3.75	95	3.75-3.50	95-90mm	TWR8-095090	3.75-3.38	95-85mm	TWR8-095085	3.75-3.13	95-80mm	TWR8-095080
TWL8-100		3.88	100	3.88-3.75	100-95mm	TWR8-100095	3.88-3.50	100-90mm	TWR8-100090	3.88-3.38	100-85mm	TWR8-100085
TWLC15		TWL15-070	2.75	70	2.75-2.56	70-65mm	TWR15-070065	2.75-2.38	70-60mm	TWR15-070060	2.75-2.19	70-55mm
	TWL15-075	2.94	75	2.94-2.75	75-70mm	TWR15-075070	2.94-2.56	75-65mm	TWR15-075065	2.94-2.38	75-60mm	TWR15-075060
	TWL15-080	3.13	80	3.13-2.94	80-75mm	TWR15-080075	3.13-2.75	80-70mm	TWR15-080070	3.13-2.56	80-65mm	TWR15-080065
	TWL15-085	3.38	85	3.38-3.13	85-80mm	TWR15-085080	3.38-2.94	85-75mm	TWR15-085075	3.38-2.75	85-70mm	TWR15-085070
	TWL15-090	3.50	90	3.50-3.38	90-85mm	TWR15-090085	3.50-3.13	90-80mm	TWR15-090080	3.50-2.94	90-75mm	TWR15-090075
	TWL15-095	3.75	95	3.75-3.50	95-90mm	TWR15-095090	3.75-3.38	95-85mm	TWR15-095085	3.75-3.13	95-80mm	TWR15-095080
	TWL15-100	3.88	100	3.88-3.75	100-95mm	TWR15-100095	3.88-3.50	100-90mm	TWR15-100090	3.88-3.38	100-85mm	TWR15-100085
	TWL15-105	-	105	-	105-100mm	TWR15-105100	-	105-95mm	TWR15-105095	-	105-90mm	TWR15-105090
	TWL15-425	4.25	-	4.25-3.88	-	TWR15-425388	4.25-3.75	-	TWR15-425375	4.25-3.50	-	TWR15-425350
	TWL15-110	-	110	-	110-105mm	TWR15-110105	-	110-100mm	TWR15-110010	-	110-95mm	TWR15-110095
	TWL15-115	-	115	-	115-110mm	TWR15-115110	-	115-105mm	TWR15-115105	-	115-100mm	TWR15-115100
	TWL15-463	4.63	-	4.63-4.25	-	TWR15-463425	4.63-3.88	-	TWR15-463388	4.63-3.75	-	TWR15-463375
TWLC30	TWL30-080	3.13	80	3.13-2.94	80-75mm	TWR30-080075	3.13-2.75	80-70mm	TWR30-080070	3.13-2.56	80-65mm	TWR30-080065
	TWL30-085	3.38	85	3.38-3.13	85-80mm	TWR30-085080	3.38-2.94	85-75mm	TWR30-085075	3.38-2.75	85-70mm	TWR30-085070
	TWL30-090	3.50	90	3.50-3.38	90-85mm	TWR30-090085	3.50-3.13	90-80mm	TWR30-090080	3.50-2.94	90-75mm	TWR30-090075
	TWL30-095	3.75	95	3.75-3.50	95-90mm	TWR30-095090	3.75-3.38	95-85mm	TWR30-095085	3.75-3.13	95-80mm	TWR30-095080
	TWL30-100	3.88	100	3.88-3.75	100-95mm	TWR30-100095	3.88-3.50	100-90mm	TWR30-100090	3.88-3.38	100-85mm	TWR30-100085
	TWL30-105	-	105	-	105-100mm	TWR30-105100	-	105-95mm	TWR30-105095	-	105-90mm	TWR30-105090
	TWL30-425	4.25	-	4.25-3.88	-	TWR30-425388	4.25-3.75	-	TWR30-425375	4.25-3.50	-	TWR30-425350
	TWL30-110	-	110	-	110-105mm	TWR30-110105	-	110-100mm	TWR30-110010	-	110-95mm	TWR30-110095
	TWL30-115	-	115	-	115-110mm	TWR30-115110	-	115-105mm	TWR30-115105	-	115-100mm	TWR30-115100
	TWL30-463	4.63	-	4.63-4.25	-	TWR30-463425	4.63-3.88	-	TWR30-463388	4.63-3.75	-	TWR30-463375
	TWL30-120	-	120	-	120-115mm	TWR30-120115	-	120-110mm	TWR30-120110	-	120-105mm	TWR30-120105
	TWL30-500	5.00	-	5.00-4.63	-	TWR30-500463	5.00-4.25	-	TWR30-500425	5.00-3.88	-	TWR30-500388
	TWL30-130	-	130	-	130-120mm	TWR30-130120	-	130-115mm	TWR30-130115	-	130-110mm	TWR30-130110
	TWL30-135	5.38	135	5.38-5.00	135-125mm	TWR30-135125	5.38-4.63	135-120mm	TWR30-135120	5.38-4.25	135-115mm	TWR30-135115
	TWL30-145	5.75	145	-	-	-	-	-	-	-	-	-
TWL30-150	-	150	-	-	-	-	-	-	-	-	-	
TWL30-155	6.13	155	-	-	-	-	-	-	-	-	-	

AVAILABLE UPON REQUEST

HYDRAULIC TOOLS

