

# LOCKING COLLAR

## RC SERIES

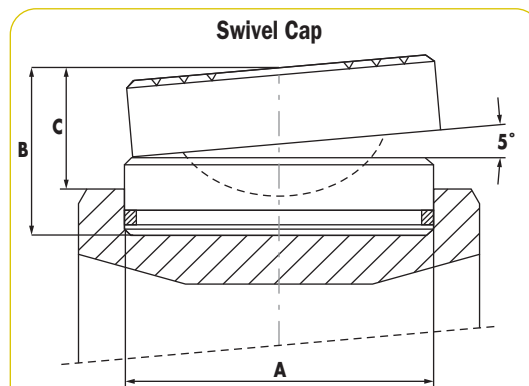
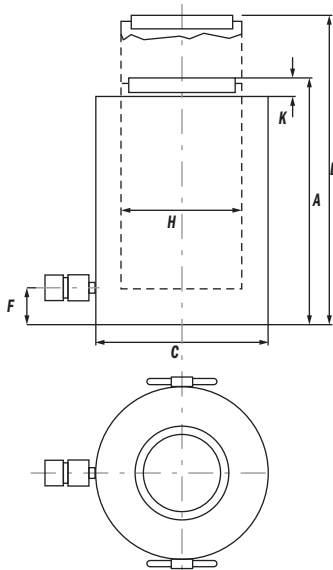
740 & 1220

Single-Acting, Load Return

**POSITIVE MECHANICAL LOCK TO SUPPORT LOAD.**



Single-Acting Locking Collar Cylinders



Order No.		A in.	B in.	C in.	Product Wt. lbs.
2000824	RC740*L, RC965*L	11.4	5.5	3.9	158.7
2000825	RC1220*L	12.7	6.9	4.9	249.1

Cyl. Cap. (tons)	Stroke (in.)	Order No.	Oil Cap. (Cu. in.)	A Retracted Height (in.)	B Extended Height (in.)	C Outside Dia. (in.)	F Base to Port (in.)	H Piston Rod Dia. (in.)	K Piston Rod Protrusion (in.)	Bore Dia. (in.)	Cyl. Effective Area (in.)	Tons @ 10,000 psi	Product Wt. (lbs)
740	2.0	RC7402L	293.6	15.6	17.6	18.7	3.5	TR13.8X6	0.2	13.8	149.1	742	1,202
740	6.0	RC7406L	880.7	19.5	25.4	18.7	3.5	TR13.8X6	0.2	13.8	149.1	742	1,506
740	10.0	RC74010L	1,467.8	23.4	33.2	18.7	3.5	TR13.8X6	0.2	13.8	149.1	742	1,810
965	2.0	RC9652L	383.2	17.9	19.9	21.3	3.9	TR15.7X6	0.2	15.7	194.8	970	1,574
962	6.0	RC9656L	1,150.2	21.9	27.8	21.3	3.9	TR15.7X6	0.2	15.7	194.8	970	2,183
962	10.0	RC96510L	1,916.2	25.8	35.6	21.3	3.9	TR15.7X6	0.2	15.7	194.8	970	2,579
1220	2.0	RC12202L	485.1	17.4	19.4	23.6	4.3	TR17.7X6	0.2	17.7	246.5	1227	2,136
1220	6.0	RC12206L	1,455.8	23.5	29.4	23.6	4.3	TR17.7X6	0.2	17.7	246.5	1227	2,888
1220	10.0	RC122010L	2,452.2	27.5	37.3	23.6	4.3	TR17.7X6	0.2	17.7	246.5	1227	3,373