

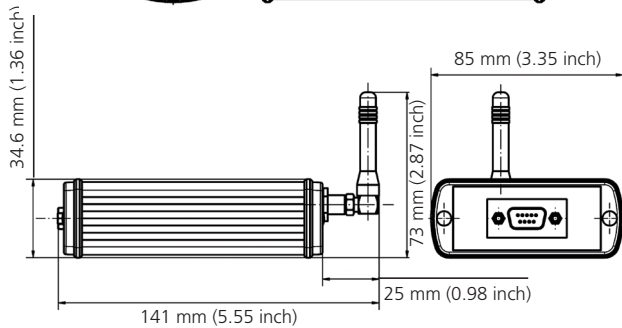
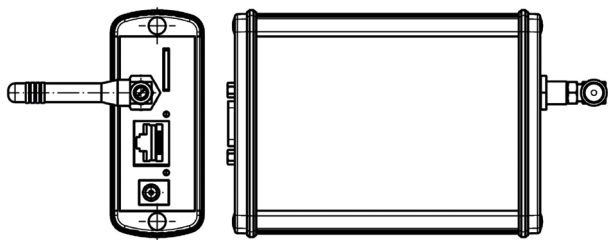
## Remote Interface

# LubMon Connect

Continuous Oil Condition Monitoring



LubMon Connect



Dimensions

### Application area

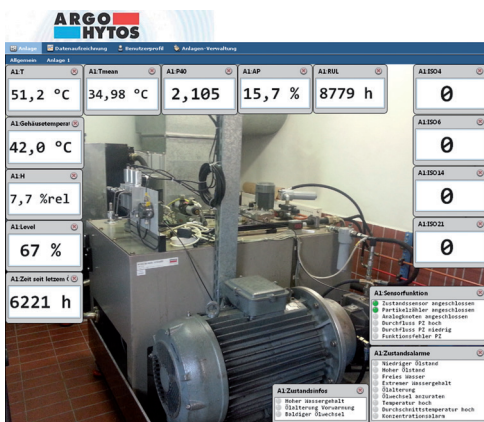
The LubMon Connect is a remote gateway for connection of ARGO-HYTOS sensors via a CANopen interface. The data of the connected sensors are automatically transferred to a web database and can be displayed or exported via an internet page.

By the use of the CAN Bus and the CANopen protocol, a simple and robust possibility is provided to integrate the sensors into existing systems in order to guarantee secure communication.

At the gateway an Ethernet interface and a GSM module are provided for data transfer to the internet. The communication can be carried out either via the at the location existing network or - e.g. with mobile or remote systems - also via the worldwide available GSM network.

The LubMon Connect communicates with an internet server which can store all incoming data in variable time intervals. The data can be visualized directly online in form of diagrams or exported for processing. For this purpose, a ring memory of 100,000 data sets is available.

Note: If desired, Condition Monitoring Systems with LubMon Connect and sensors may be supplied ready for connection (plug & play). For the internet portal of the LubMon Connect an annual fee shall be due.



## Technical data

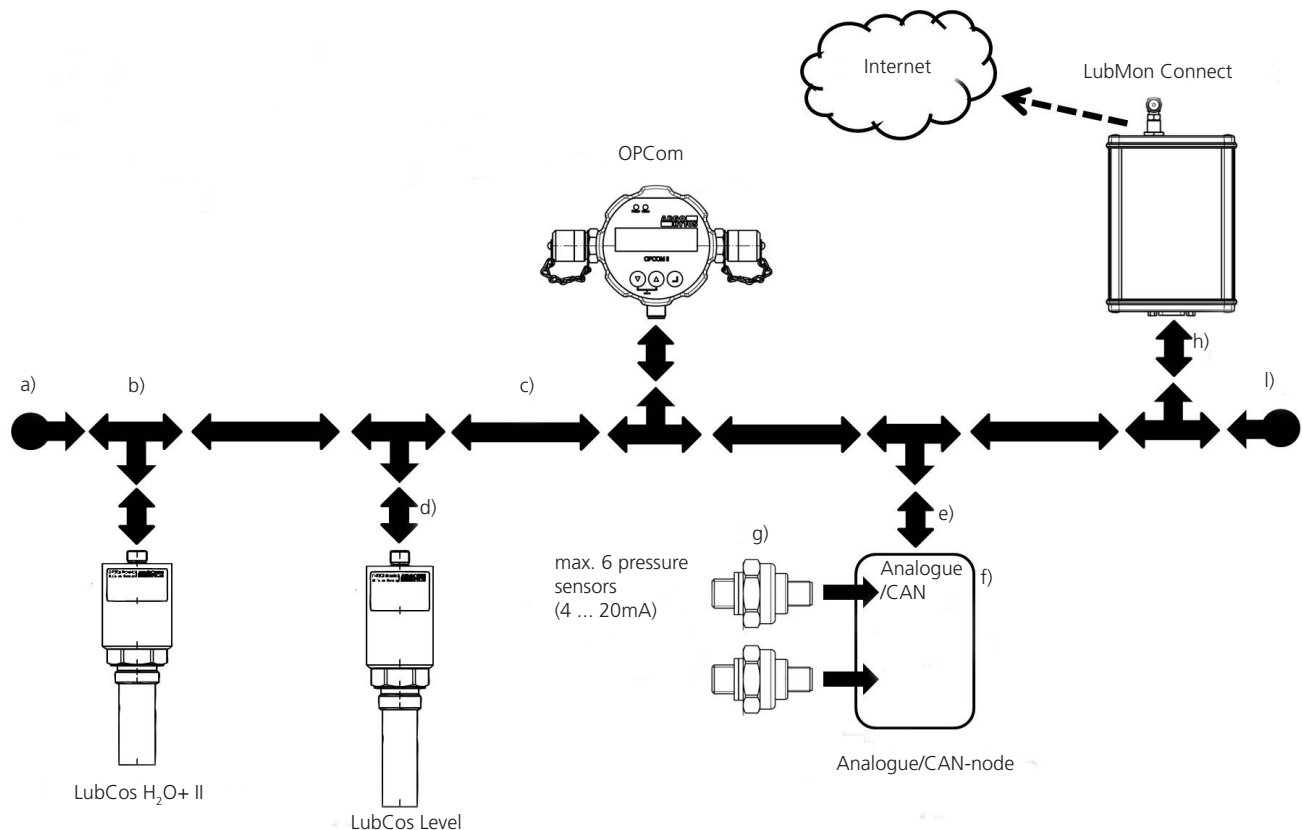
Data	Size	Unit
<i>Ambient conditions operation</i>		
Temperature	+5 ... +50 (+41 ... +122)	°C °F
Humidity	0 ... 95	% r.H.
<i>Ambient conditions storing</i>		
Temperature	0 ... +60 (+32 ... +140)	°C °F
Humidity	0 ... 95	% r.H.
Power supply	12 ... 28	VDC
Power input	max. 0.3	A
<i>CAN interface</i>		
Plug	SUB-D9	-
Bus speed	100 / 125 / 250 / 500	kBaud
Protocol	CANopen	
<i>Ethernet interface</i>		
Connection type	RJ45	-
Speed	10/100	MBit
Protocol	UDP	

Data	Size	Unit
<i>GSM</i>		
Aerial	Stub Antenna FME	-
Transmission power @ 850/900 MHz	2	W
Transmission power @ 1800/1900 MHz	1	W
SIM card type	standard SIM card 1.8V / 3V	-
Frequencies	850 / 900 / 1800 / 1900	MHz
	(Quad-Band EGSM)	

### Optical indications

Power-LED	green
Ethernet-LED	yellow

## Connection diagram (example)



## Order code

LubMon Connect SCSO 700-1000

### Accessories

Fixing clamp LM Connect short side SCSO 700-5010

Fixing clamp LM Connect long side SCSO 700-5020

Subscription for one-year-use LM Connect SCSO 700-5030

SMS card, 50 pcs. LM Connect SCSO 700-5040

a) CAN terminator female SCSO-700-5160

b) CAN T-connector SCSO 700-5140

c) CAN cable standard 2 m (6.6 ft) SCSO 700-5120

d) CAN sensor cable SCSO 700-5110

e) CAN cable open leads 0.3 m (1 ft) SCSO 700-5130

f) Analogue CAN adapter LM Connect SCSO 700-5060

g) PSC pressure sensor  
PSC 400-1843  
PSC 250-1843  
PSC 100-1843  
PSC 010-1713

h) Sub-D CAN adapter LM Connect SCSO 700-5050

i) CAN terminator male SCSO 700-5150

### Supported sensors

LubCos H<sub>2</sub>O+ II SCSO 100-1010

LubCos Level 200 SCSO 150-1200

LubCos Level 375 SCSO 150-1375

LubCos Level 615 SCSO 150-1615

OPCom SPCO 300-1000

FerroS SPCO 500-1000

